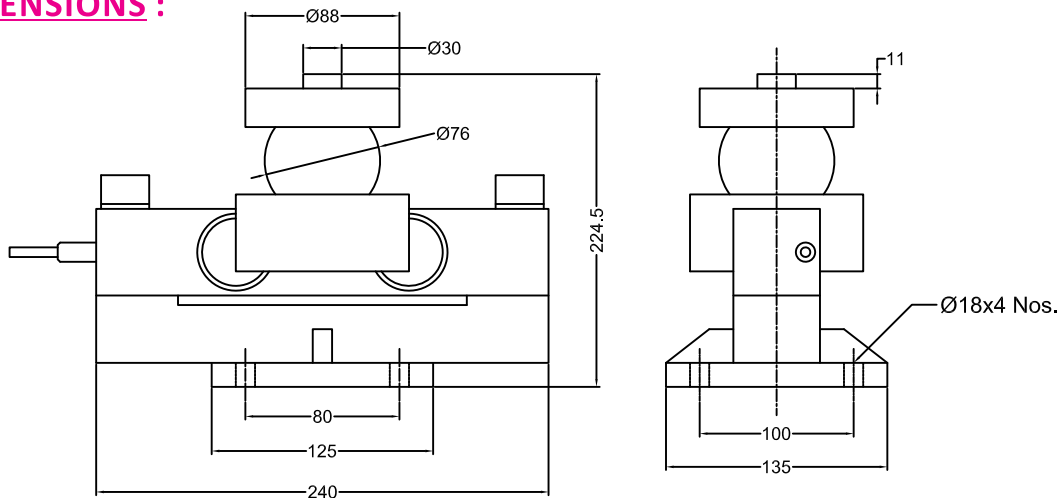


**FEATURES :**

- \* High Accuracy
- \* Good Reliability
- \* Ultra Precision
- \* Excellent Linearity
- \* Easy to Install
- \* Robust Body
- \* High Repeatability

**SPECIFICATIONS :**

Rated Capacity	20 & 30 Tonne		
Excitation Voltage	10 - 12 VDC	Insulation Resistance (50 V DC)	2000 M Ohms
Nominal Output	2.0 mV/V $\pm$ 0.25 %	Zero Balance	$\pm$ 2.0 % FSO
Non - Linearity	$\pm$ 0.025 % FSO	Safe Overload	150 %
Hysteresis	$\pm$ 0.025 % FSO	Ultimate Overload	200 %
Non-Repeatability	$\pm$ 0.03 % FSO	Temp. Compensated Range	0 - 60 °C
Creep (30 minutes)	$\pm$ 0.03 % FSO	Temperature Effect on Output	0.005% FSO/°C
Input Resistance	700 $\pm$ 20 Ohms	Temperature Effect on Zero	0.002% FSO/°C
Output Resistance	700 $\pm$ 10 Ohms	Protection Class	IP-68

**DIMENSIONS :**

**Office** : F # 1, Paradise Apartments, No. 11, 1<sup>st</sup> Floor, 5<sup>th</sup> Cross, Prashanthnagar, Bangalore - 560 079.  
Ph : 080 - 2348 1364, 6576 1259. Fax : 080 - 2328 3728. E-mail : sales@epochloadcell.com.

**Factory** : No. 16, Bhadrappa Estate, 54, Magadi Main Road, Kamakshipalya, Bangalore - 560 079.  
Ph : 080 - 2328 7998. E-mail : epochinstruments@yahoo.com, Web : www.epochloadcell.com.