

TENSION LOAD CELL MODEL : EP-2000

SPECIAL FEATURES :

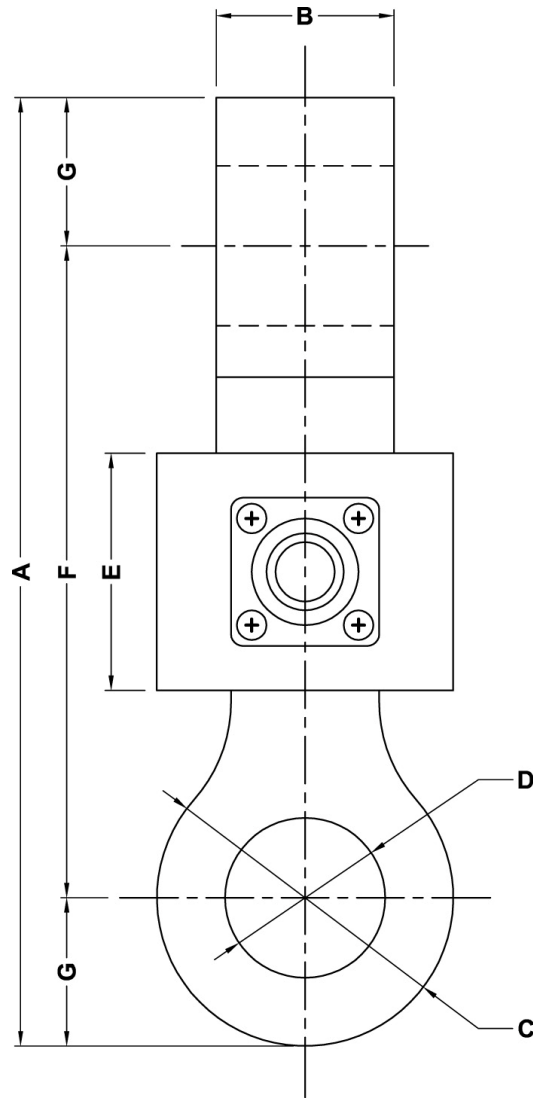
- HIGH ACCURACY
- GOOD RELIABILITY
- ULTRA – PRECISION
- EXCELLENT LINEARITY
- WIDE RANGE
- EASILY INSTALLED
- HIGH REPEATABILITY
- ROBUST BODY
- PU COATED



SPECIFICATIONS

MODEL	:	EP – 2000.
Rated Load Capacity	:	0 – 3, 5, 10, 12.5, 15, 20 TONNE.
Rated Output Sensitivity	:	1 mV/V \pm 0.5%.
Input Resistance	:	350 \pm 10 Ohms.
Output Resistance	:	350 \pm 5 Ohms.
Insulation Resistance	:	> 1000 Mega Ohms.
Humidity Rating	:	MAX 95% RH.
Excitation Voltage	:	10 to 15 Volts DC/AC (RMS).
Non Linearity	:	\pm 0.1 % of Rated Output.
Hysteresis	:	\pm 0.1 % of Rated Output.
Creep	:	\pm 0.1 % of Rated Output.
Non Repeatability	:	\pm 0.1 % of Rated Output.
Zero Balance	:	\pm 5 % of Rated Output.
Operatable Temperature Range	:	- 20°C to 65° C.
Compensated Temperature Range	:	0° C to 55° C.
Temperature Effect on Zero	:	0.01 % of Rated Output/°C.
Temperature Effect on Output	:	0.01 % of Rated Output/°C.
Over Load Rating, Safe	:	150 % of Rated Capacity.
Over Load Rating (Ultimate)	:	200 % of Rated Capacity.
Maximum Side Load Allowed	:	1 % of Rated Capacity.

Dimensions :



CAPACITY	A	B	C	D	E	F	G	Weight
3 & 5 Tonne	160.0	30.0	Ø50.0	Ø27.0	40.0	110.0	25.0	1.5 Kgs
10 & 12.5 Tonne	198.0	42.0	Ø65.0	Ø39.0	50.0	133.0	32.5	2.6 Kgs
15 & 20 Tonne	234.0	48.0	Ø80.0	Ø49.0	50.0	154.0	40.0	4.1 Kgs

Please Communicate to :

EPOCH

Instruments & Controls Pvt. Ltd.

Office : MIG 132, 2nd Stage, 80 Feet Road, K.H.B. Colony, Basaveshwarnagar, Bangalore – 560 079.

☎ : 080 – 2348 1364, 6576 1259. ☎ : 080 – 2328 3728. E-mail : epochic@dataone.in.

Factory : No. 16, Bhadrappa Este, 54, Magadi Main Road, Kamakshipalya, Bangalore – 560 079.

☎ : 080 – 2328 7998. E-mail : epochinstruments@yahoo.com, Web : www.epoch-india.com.

Branch : No. 409, Kemp Plaza, B-Wing, Opp. Mind Space, Chincholi Bunder, Malad (West), Mumbai – 400 064.

☎ : 022 – 4003 0704, 4003 0705, 4003 0706. ☎ : 022 – 4003 0707. E-mail : synapsis@vsnl.com.