

UNIVERSAL LOAD CELL

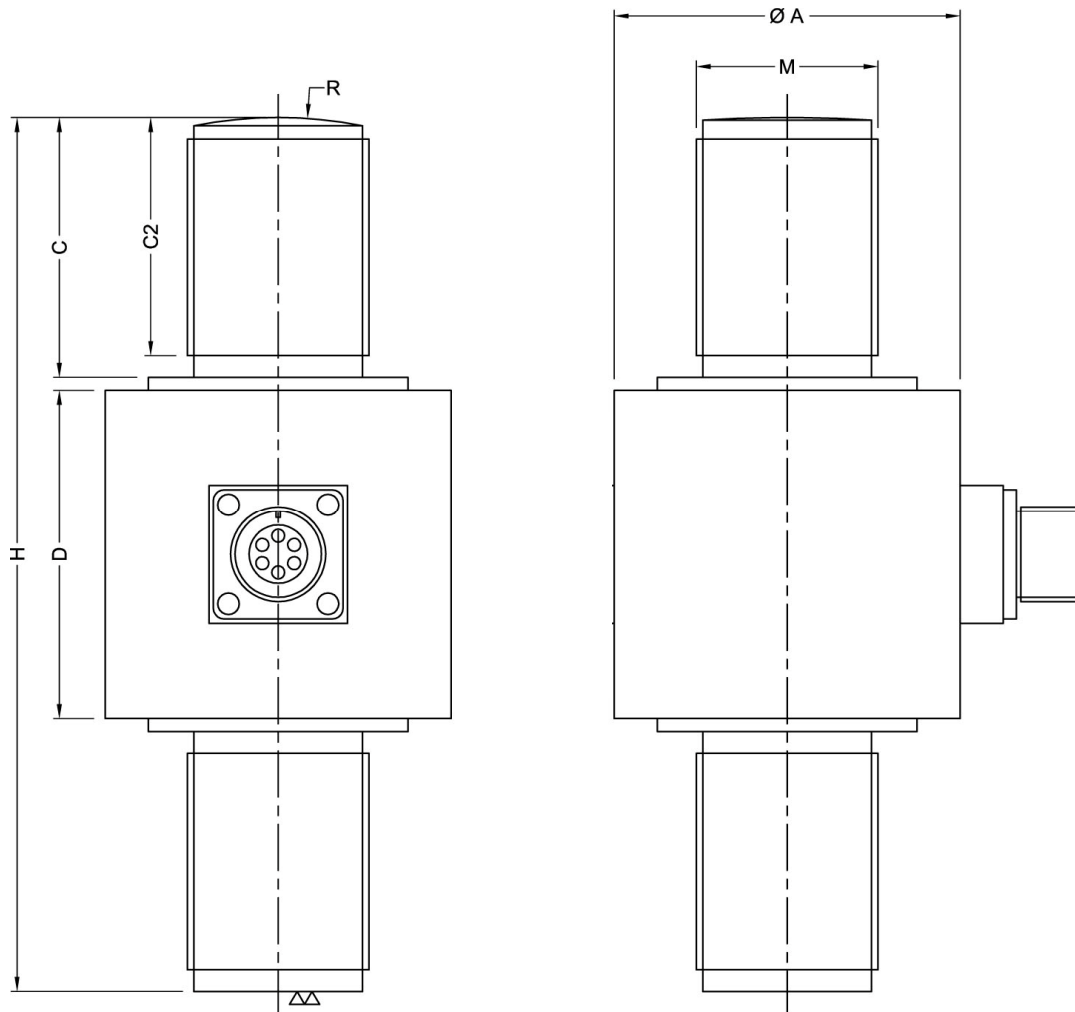
SPECIAL FEATURES

- ❖ *Tension & Compression*
- ❖ *Good Linearity*
- ❖ *Good Repeatability*
- ❖ *Easy to Install*
- ❖ *Temp Compensated*
- ❖ *Wide Range*
- ❖ *Good Reliability*

SPECIFICATION

MODEL	:	ULC.
Rated Load Capacity	:	1, 2, 5, 10, 20, 50 Tonne.
Rated Output Sensitivity	:	3 mV/V \pm 0.3%.
Input Resistance	:	350 \pm 10 Ohms.
Output Resistance	:	350 \pm 5 Ohms.
Excitation Voltage	:	10 to 15 Volts DC/AC (RMS).
Non Linearity	:	\pm 0.05 % of Rated Output.
Hysteresis	:	\pm 0.05 % of Rated Output.
Creep	:	\pm 0.1 % of Rated Output.
Non Repeatability	:	\pm 0.05% of Rated Output.
Zero Balance	:	2 % of Rated Output.
Operatable Temperature Range	:	- 20°C to 60° C.
Compensated Temperature Range	:	0° C to 50° C.
Temperature Effect on Zero	:	0.005% of Rated Output/°C.
Temperature Effect on Output	:	0.005% of Rated Output/°C.
Over Load Rating, Safe	:	120% of Rated Capacity.
Over Load Rating (Ultimate)	:	150% of Rated Capacity.

DIMENSIONS :-



CAPACITY	Ø A	C	C2	D	H	R	M	Weight (Approx)
1 Tonne	70	40	38	60	145	75	M24 x 2P	1.7 Kgs
2 Tonne	80	40	38	60	145	75	M24 x 2P	1.8 Kgs
5 Tonne	80	45	42	70	165	75	M24 x 2P	2.0 Kgs
10 & 20 Tonne	90	60	55	80	210	300	M42 x 3P	4.2 Kgs
50 Tonne	120	100	95	150	360	400	M64 x 4P	15 Kgs

Please Communicate to :

EPOCH

Instruments & Controls Pvt. Ltd.

Office : F#1, Paradise Apartments, No. 11, 1st Floor, 5th Cross, Prashanthnagar, Bangalore-560 079.

☎ : 080 – 2348 1364, 6576 1259. 📠 : 080 – 2328 3728. E-mail : epochic@dataone.in.

Factory : No. 16, Bhadrappa Este, 54, Magadi Main Road, Kamakshipalya, Bangalore – 560 079.

☎ : 080 – 2328 7998. E-mail : epochinstruments@yahoo.com, Web : www.epochloadcell.com.