

# BUTTON LOAD CELL

## SPECIAL FEATURES

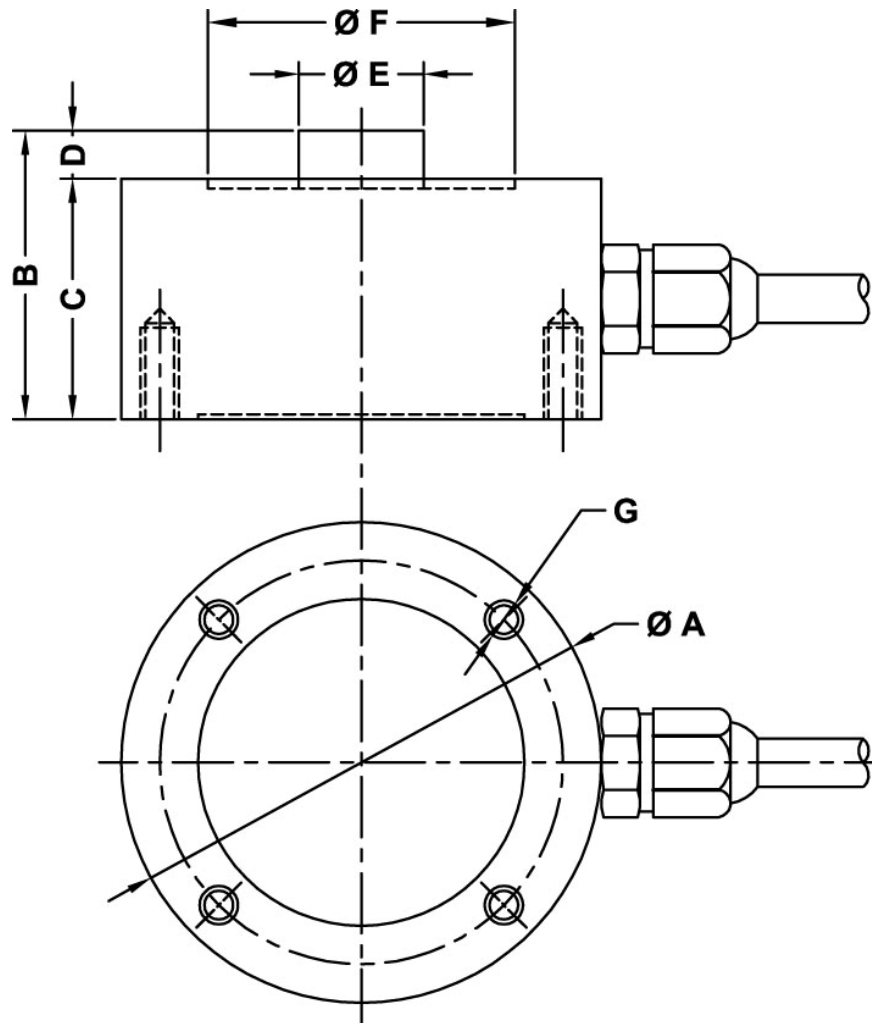
- ❖ *Good Linearity*
- ❖ *Good Repeatability*
- ❖ *Easy to Install*
- ❖ *Temp Compensated*
- ❖ *Wide Range*
- ❖ *Good Reliability*



## SPECIFICATION

MODEL	:	EP – 616.
Rated Load Capacity	:	0.2, 0.5, 1, 2, 3, 5, 10, 20, Tonne.
Rated Output Sensitivity	:	1.6 to 2 mV/V $\pm$ 0.3%.
Input Resistance	:	750 $\pm$ 10 Ohms.
Output Resistance	:	700 $\pm$ 5 Ohms.
Excitation Voltage	:	5 to 12 Volts DC/AC (RMS).
Non Linearity	:	$\pm$ 0.1 % of Rated Output.
Hysteresis	:	$\pm$ 0.1 % of Rated Output.
Creep	:	$\pm$ 0.1 % of Rated Output.
Non Repeatability	:	$\pm$ 0.05% of Rated Output.
Zero Balance	:	2 % of Rated Output.
Operatable Temperature Range	:	- 20°C to 60° C.
Compensated Temperature Range	:	0° C to 45° C.
Temperature Effect on Zero	:	0.005% of Rated Output/°C.
Temperature Effect on Output	:	0.005% of Rated Output/°C.
Over Load Rating, Safe	:	120% of Rated Capacity.
Over Load Rating (Ultimate)	:	150% of Rated Capacity.

**DIMENSIONS :-**



CAPACITY	Ø A	B	C	D	Ø E	Ø F	G
0.2 to 1 Tonne	50	30	25	5	12	32	M4 Thrd x 4 Nos. @ 42 PCD
2 to 5 Tonne	60	35	30	5	13	36	M6 Thrd x 4 Nos. @ 50 PCD
10 & 20 Tonne	118	52	45	7	20	52	M4 Thrd x 4 Nos. @ 90 PCD

Please Communicate to :

**EPOCH**

**Instruments & Controls Pvt. Ltd.**

Office : F#1, Paradise Apartments, No. 11, 1<sup>st</sup> Floor, 5<sup>th</sup> Cross, Prashanthnagar, Bangalore-560 079.

☎ : 080 – 2348 1364, 6576 1259. 📠 : 080 – 2328 3728. E-mail : epochic@dataone.in.

Factory : No. 16, Bhadrappa Este, 54, Magadi Main Road, Kamakshipalya, Bangalore – 560 079.

☎ : 080 – 2328 7998. E-mail : epochinstruments@yahoo.com, Web : www.epochloadcell.com.