

MINIATURE LOAD CELL

SPECIAL FEATURES

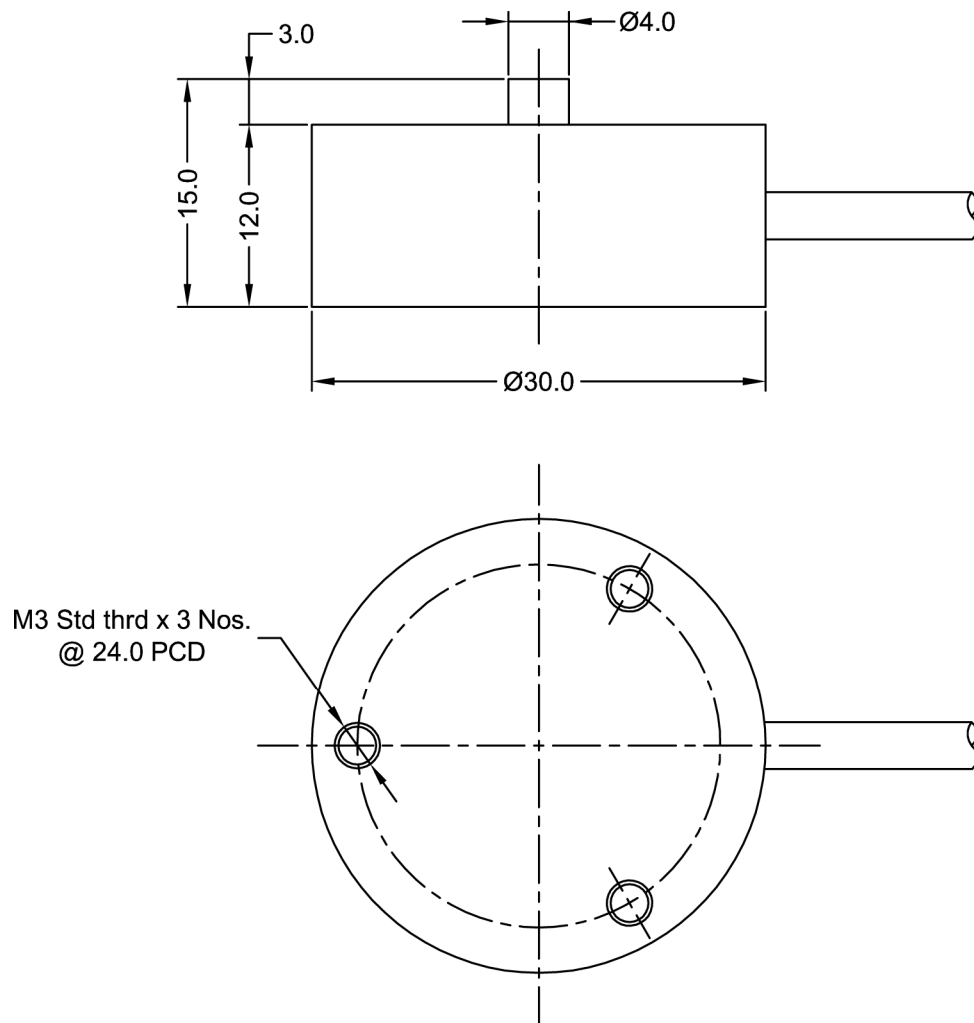
- ❖ *Good Linearity*
- ❖ *Good Repeatability*
- ❖ *Easy to Install*
- ❖ *Temp Compensated*
- ❖ *Wide Range*
- ❖ *Good Reliability*



SPECIFICATION

MODEL	:	EP-616-M.
Rated Load Capacity	:	10, 50, 100, 200, 500 Kgs.
Rated Output Sensitivity	:	1.5 to 2 mV/V \pm 0.3%.
Input Resistance	:	350 \pm 10 Ohms.
Output Resistance	:	350 \pm 5 Ohms.
Excitation Voltage	:	5 to 12 Volts DC/AC (RMS).
Non Linearity	:	\pm 0.5 % of Rated Output.
Hysteresis	:	\pm 0.5 % of Rated Output.
Creep	:	\pm 0.2 % of Rated Output.
Non Repeatability	:	\pm 0.1% of Rated Output.
Zero Balance	:	2 % of Rated Output.
Operatable Temperature Range	:	- 20°C to 60° C.
Compensated Temperature Range	:	0° C to 45° C.
Temperature Effect on Zero	:	0.005% of Rated Output/°C.
Temperature Effect on Output	:	0.005% of Rated Output/°C.
Over Load Rating, Safe	:	150% of Rated Capacity.
Over Load Rating (Ultimate)	:	200% of Rated Capacity.

DIMENSIONS :-



Please Communicate to :

EPOCH

Instruments & Controls Pvt. Ltd.

Office : F#1, Paradise Apartments, No. 11, 1st Floor, 5th Cross, Prashanthnagar, Bangalore-560 079.

☎ : 080 – 2348 1364, 6576 1259. 📠 : 080 – 2328 3728. E-mail : epochic@dataone.in.

Factory : No. 16, Bhadrappa Este, 54, Magadi Main Road, Kamakshipalya, Bangalore – 560 079.

☎ : 080 – 2328 7998. E-mail : epochinstruments@yahoo.com, Web : www.epochloadcell.com.