

# Model : EP-910

## SINGLE SHEAR BEAM LOAD CELL



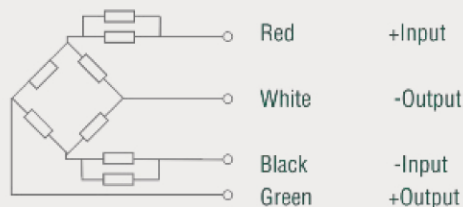
### Features:

- ★ Alloy steel & Stainless steel structure; bellows hermetically sealed by laser
- ★ Nickel plated
- ★ Waterproof & anti-corrosion
- ★ Suitable for multiform environments

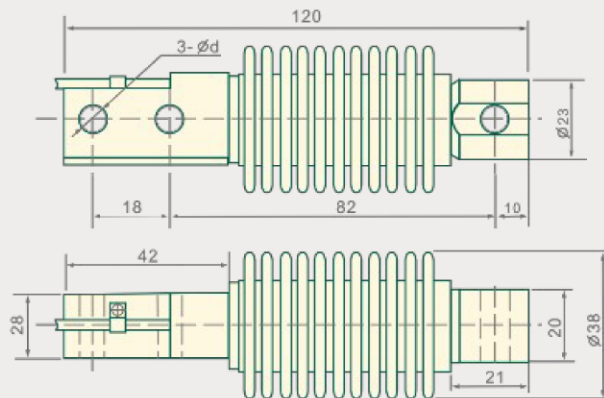
### Applications:

- ★ Electronic Platform Scales
- ★ Hooper Scales
- ★ Other Electronic Weighing Devices

### Wiring Schematic Diagram:



### Dimensions:



CAPACITY	10-200	250-500
d	8.2	10.3

### Parameters:

Related Load (kg.) 10, 20, 30, 50, 100, 200, 300, 350, 500

Precision	C3	Insulation Resistance(MΩ)	≥5000(100VDC)
Composition Error	± 0.02	Excitation Voltage (V)	9~12 (DC)
Rated Output (mv/v)	2 ± 0.002	Compensated temp. Range (°C)	-10~+40
Non-Linearity (%FS)	0.03 / 0.017	Use Temp. Range (°C)	-20~+55
Hysteresis (%FS)	0.03 / 0.02	Temp. Effect on Zero (%FS/10°C)	0.019
Repeatability (%FS)	0.01	Temp. Effect on Zero (%FS/10°C)	0.011
Creep (%FS/30min)	0.016	Safe Overload (%FS)	120
Zero Balance (%FS)	± 1	Ultimate Overload (%FS)	150
Input Resistance (Ω)	350 ± 5	Defend Grade	IP68
Output Resistance (Ω)	350 ± 3	Cable	4mm, 3mtr