

# TENSION LOAD CELL MODEL : EP-2000

## SPECIAL FEATURES :

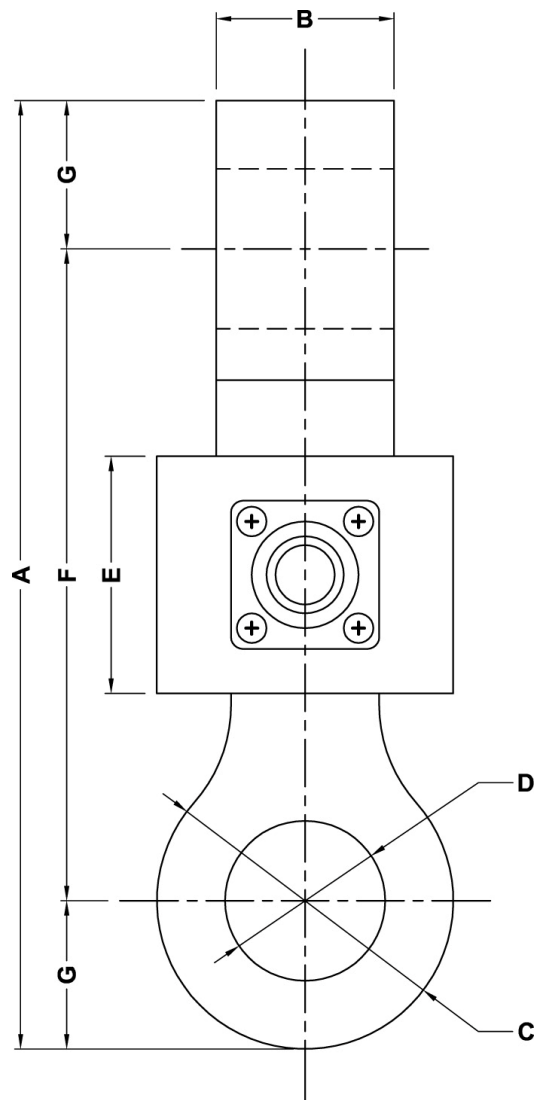
- HIGH ACCURACY
- GOOD RELIABILITY
- ULTRA – PRECISION
- EXCELLENT LINEARITY
- WIDE RANGE
- EASILY INSTALLED
- HIGH REPEATABILITY
- ROBUST BODY
- PU COATED



## SPECIFICATIONS

MODEL	:	<b>EP – 2000.</b>
Rated Load Capacity	:	0 – 3, 5, 10, 12.5, 15, 20, 40, 50, 60, 75, 100 Tonne.
Rated Output Sensitivity	:	1 mV/V $\pm$ 0.5%.
Input Resistance	:	350 $\pm$ 10 Ohms.
Output Resistance	:	350 $\pm$ 5 Ohms.
Insulation Resistance	:	> 1000 Mega Ohms.
Humidity Rating	:	MAX 95% RH.
Excitation Voltage	:	10 to 15 Volts DC/AC (RMS).
Non Linearity	:	$\pm$ 0.1 % of Rated Output.
Hysteresis	:	$\pm$ 0.1 % of Rated Output.
Creep	:	$\pm$ 0.1 % of Rated Output.
Non Repeatability	:	$\pm$ 0.1 % of Rated Output.
Zero Balance	:	$\pm$ 5 % of Rated Output.
Operatable Temperature Range	:	- 20°C to 65° C.
Compensated Temperature Range	:	0° C to 55° C.
Temperature Effect on Zero	:	0.01 % of Rated Output/°C.
Temperature Effect on Output	:	0.01 % of Rated Output/°C.
Over Load Rating, Safe	:	150 % of Rated Capacity.
Over Load Rating (Ultimate)	:	200 % of Rated Capacity.
Maximum Side Load Allowed	:	1 % of Rated Capacity.

**Dimensions :**



CAPACITY	A	B	C	D	E	F	G	Weight
3 & 5 Tonne	160.0	30.0	Ø50.0	Ø27.0	40.0	110.0	25.0	1.5 Kgs
10 & 12.5 Tonne	198.0	42.0	Ø65.0	Ø39.0	50.0	133.0	32.5	2.6 Kgs
15 & 20 Tonne	234.0	48.0	Ø80.0	Ø49.0	50.0	154.0	40.0	4.1 Kgs
40 & 50 Tonne	375.0	75.0	Ø125.0	Ø70.0	80.0	250.0	62.5	--
60 - 100 Tonne	425.0	85.0	Ø145.0	Ø84.0	80.0	280.0	72.5	--

Please Communicate to :

**EPOCH**

**Instruments & Controls Pvt. Ltd.**

**Office** : F#1, Paradise Apartment, No. 11, 1<sup>st</sup> Floor, 5<sup>th</sup> Cross, Prashanthnagar, Bangalore-79.

☎ : 080 – 2348 1364, 6576 1259. ☎ : 080 – 2328 3728. E-mail : epochic@dataone.in.

**Factory** : No. 16, Bhadrappa Este, 54, Magadi Main Road, Kamakshipalya, Bangalore – 560 079.

☎ : 080 – 2328 7998. E-mail : epochinstruments@yahoo.com, Web : www.epochloadcell.com.