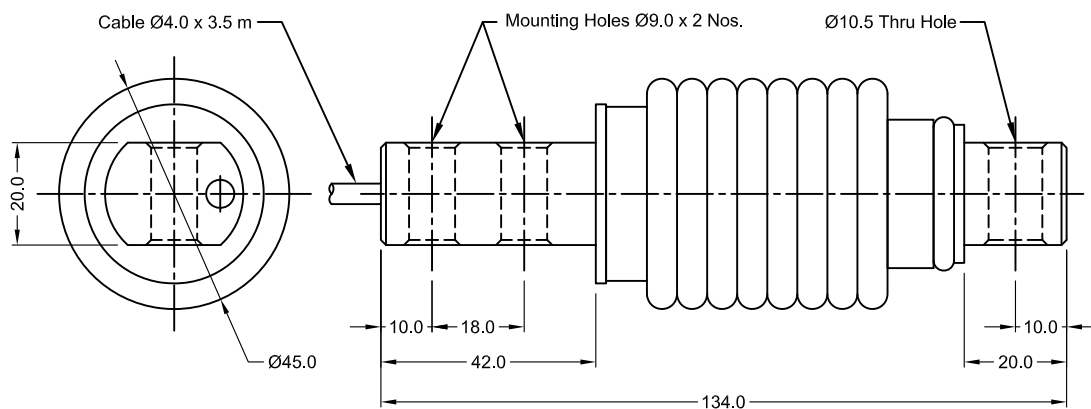


FEATURES :

- * *Good Linearity*
- * *High Accuracy*
- * *Good Repeatability*
- * *Easy to Install*
- * *Temperature Compensated*
- * *Good Reliability*
- * *Wide Range*

**SPECIFICATIONS :**

Rated Capacity	5, 10, 20, 30, 50, 100, 150, 200 Kgs.		
Excitation Voltage	10 - 12 VDC	Insulation Resistance (50 V DC)	1000 M Ohms
Nominal Output	2.0 mV/V \pm 0.25 %	Zero Balance	\pm 2.0 % FSO
Non - Linearity	\pm 0.025 % FSO	Safe Overload	150 %
Hysteresis	\pm 0.025 % FSO	Ultimate Overload	200 %
Non-Repeatability	\pm 0.05 % FSO	Temp. Compensated Range	0 - 60 °C
Creep (30 minutes)	\pm 0.03 % FSO	Temperature Effect on Output	0.005% FSO/°C
Input Resistance	350 \pm 10 Ohms	Temperature Effect on Zero	0.005% FSO/°C
Output Resistance	350 \pm 5 Ohms	Protection Class	IP-66

DIMENSIONS :

Office : F # 1, Paradise Apartments, No. 11, 1st Floor, 5th Cross, Prashanthnagar, Bangalore - 560 079.
Ph : 080 - 2348 1364, 6576 1259. Fax : 080 - 2328 3728. E-mail : sales@epochloadcell.com.

Factory : No. 16, Bhadrappa Estate, 54, Magadi Main Road, Kamakshipalya, Bangalore - 560 079.
Ph : 080 - 2328 7998. E-mail : epochinstruments@yahoo.com, Web : www.epochloadcell.com.