

### FEATURES :

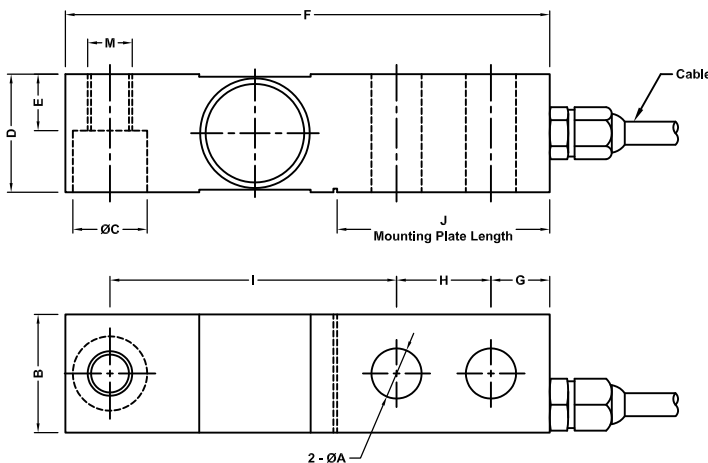
- \* Good Linearity
- \* Good Repeatability
- \* Easy to Install
- \* Temperature Compensated
- \* Good Reliability
- \* Wide Range



### SPECIFICATIONS :

Rated Capacity	100, 200, 300, 500, 1000, 2000, 3000, 5000, 7500, 10000 Kgs.		
Excitation Voltage	10 - 12 VDC	Insulation Resistance (50 V DC)	1000 M Ohms
Nominal Output	3.0 mV/V $\pm$ 0.25 %	Zero Balance	$\pm$ 2.0 % FSO
Non - Linearity	$\pm$ 0.025 % FSO	Safe Overload	150 %
Hysteresis	$\pm$ 0.025 % FSO	Ultimate Overload	200 %
Non-Repeatability	$\pm$ 0.05 % FSO	Temp. Compensated Range	0 - 60 °C
Creep (30 minutes)	$\pm$ 0.03 % FSO	Temperature Effect on Output	0.0015% FSO/°C
Input Resistance	400 $\pm$ 25 Ohms	Temperature Effect on Zero	0.0020% FSO/°C
Output Resistance	350 $\pm$ 5 Ohms	Protection Class	IP-66

### DIMENSIONS :



CAP	100 Kg-2 T	3 & 5 T	7.5 & 10 T
A	13.5	19.8	26.2
B	31.8	38.1	50.8
C	13.5	30.2	46.0
D	31.8	38.1	50.8
E	15.2	19.1	25.4
F	130.0	171.5	222.3
G	15.8	19.1	25.4
H	25.4	38.1	50.8
I	76.2	95.3	120.7
J	57.2	76.2	101.6
M	M12x1.75P	M18x1.50P	M24 x 2P