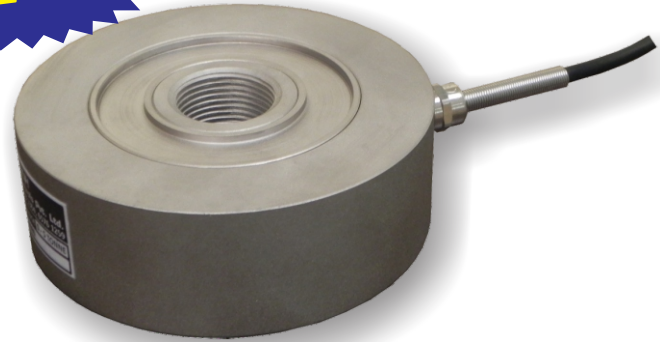


### FEATURES :

- \* Good Repeatability
- \* Easy to Install
- \* Robust Body
- \* Good Reliability
- \* Wide Range

**LSE-H2**

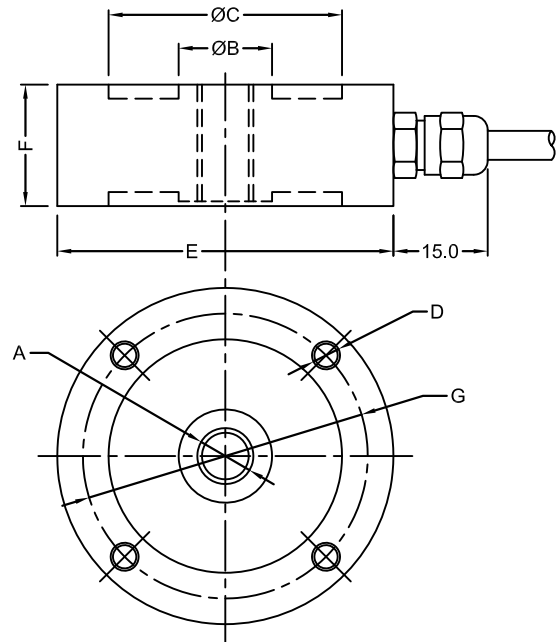


### SPECIFICATIONS :

Rated Capacity	1, 2, 3, 5, 10, 15, 20, 25, 30 Tonne		
Excitation Voltage	10 - 12 VDC	Insulation Resistance (50 V DC)	1000 M Ohms
Nominal Output	2.0 mV/V $\pm$ 0.25 %	Zero Balance	$\pm$ 2.0 % FSO
Non - Linearity	$\pm$ 0.10 % FSO	Safe Overload	150 %
Hysteresis	$\pm$ 0.10 % FSO	Ultimate Overload	200 %
Non-Repeatability	$\pm$ 0.05 % FSO	Temp. Compensated Range	0 - 50 °C
Creep (30 minutes)	$\pm$ 0.05 % FSO	Temperature Effect on Output	0.0015% FSO/°C
Input Resistance	700 $\pm$ 10 Ohms	Temperature Effect on Zero	0.0020% FSO/°C
Output Resistance	700 $\pm$ 5 Ohms	Protection Class	IP-66

### DIMENSIONS :

CAP	1 & 2 T	3 & 5 T	10 T	15 - 30 T
A	M12 x 1.75P	M24 x 2P	M30 x 2P	M45 x 3P
B	$\varnothing$ 20.0	$\varnothing$ 34.0	$\varnothing$ 42.0	$\varnothing$ 68.0
C	$\varnothing$ 54.0	$\varnothing$ 68.0	$\varnothing$ 78.0	$\varnothing$ 106.0
D	M6 x 1P	M12 x 1.75P	M16 x 2P	M24 x 3P
E	$\varnothing$ 72.0	$\varnothing$ 100.0	$\varnothing$ 120.0	$\varnothing$ 165.0
F	26.0	30.0	40.0	55.0
G	63.0	82.0	98.0	134.0



EPOCH Instruments & Controls Pvt. Ltd.

**Office** : F # 1, Paradise Apartments, No. 11, 1<sup>st</sup> Floor, 5<sup>th</sup> Cross, Prashanthnagar, Bangalore - 560 079.  
Ph : 080 - 2348 1364, 6576 1259. Fax : 080 - 2328 3728. E-mail : sales@epochloadcell.com.

**Factory** : No. 16, Bhadrappa Estate, 54, Magadi Main Road, Kamakshipalya, Bangalore - 560 079.  
Ph : 080 - 2328 7998. E-mail : epochinstruments@yahoo.com, Web : www.epochloadcell.com.