

COMPRESSION LOAD CELL – MODEL : LSP

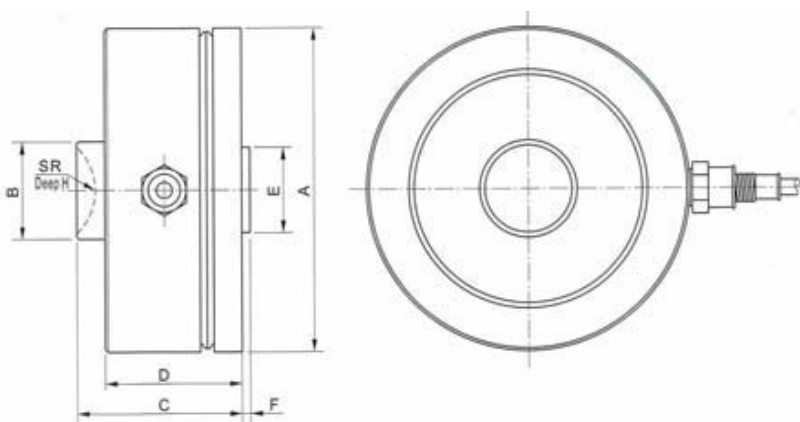
- ❖ *Good Linearity*
- ❖ *Good Repeatability*
- ❖ *Easy to Install*
- ❖ *Temp Compensated*
- ❖ *Wide Range*
- ❖ *Good Reliability*



SPECIFICATIONS

Rated Capacity	2.25, 4.50, 11.35, 22.70, 45.40 Tonnes		
Output Sensitivity	4 mV/V \pm 0.25 %	Zero Balance	\pm 2.0 %
Input Resistance	385 \pm 15 Ohms	Compensated Temp. Range	- 20°C to 65° C
Output Resistance	350 \pm 5 Ohms	Temp. effect on Zero	\pm 0.002 % /°C
Excitation Voltage	10 to 15 Volts DC	Temp. effect on Output	\pm 0.003 % /°C
Non Linearity	\pm 0.03 %	Insulation Resistance	\geq 2000 M Ohms
Hysteresis	\pm 0.03 %	Protection Class	IP – 67
Creep	0.03 %	Safe Overload	150 %
Non Repeatability	\pm 0.02 %	Ultimate Overload	300 %

Dimensions :



Capacity in Tonnes	Dimensions in mm							
	A	B	C	D	E	F	H	SR
2.25 – 4.50	104.5	32.0	53.8	50.8	31.7	1.0	5.0	16.0
11.35 – 22.70	120.6	38.8	77.7	65.0	31.7	1.0	7.8	22.0
45.40	140.0	50.3	86.1	79.7	31.7	1.0	7.8	25.0

EPOCH

Instruments & Controls Pvt. Ltd.

Office : MIG 132, 2nd Stage, 80 Feet Road, K.H.B. Colony, Basaveshwaranagar, Bangalore – 560 079.

☎ : 080 – 2348 1364, 6576 1259. ☎ : 080 – 2328 3728. E-mail : epochic@dataone.in.

Factory : No. 16, Bhadrappa Estate, 54, Magadi Main Road, Kamakshipalya, Bangalore – 560 079. ☎ : 080 – 23287998.

Branch : 409, Kemp Plaza, B-Wing, Opp. Mind Space, Chincholi Bunder, Malad (West), Mumbai – 400 064.

☎ : 022 – 4003 0704, 4003 0705, 4003 0706. ☎ : 022 – 4003 0707. E-mail : synapsis@vsnl.com.