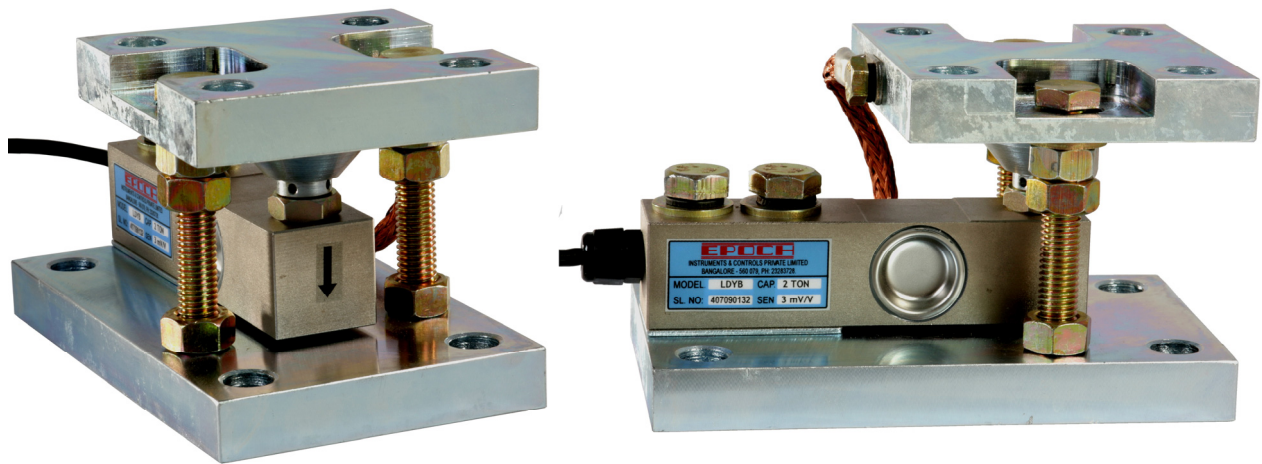


# TANK WEIGHING ASSEMBLY

# EPOCH



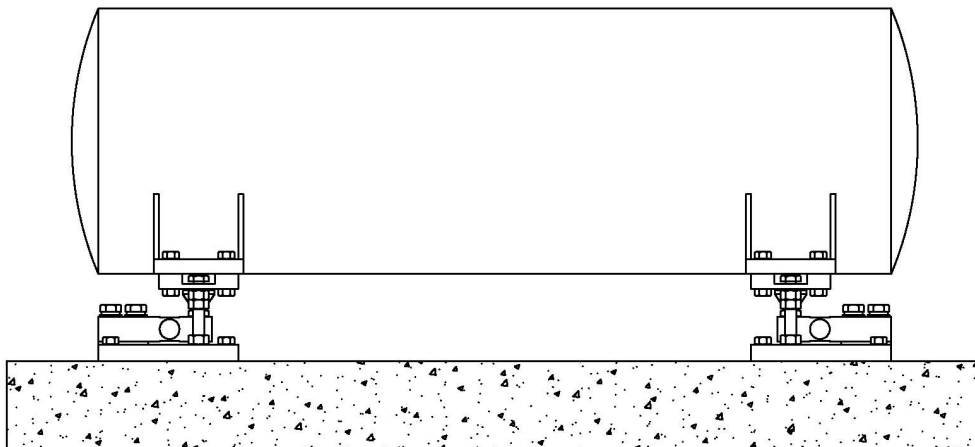
The LDYB Mounting Kit Series Tank Weighing Assembly is ideally suited for use in a wide variety of medium to high capacity, vessel weighing systems.

LDYB Mounting assemblies are available in fabricated mild steel construction with capacities ranging from 100 Kg to 5000 Kg. Fabricated mild steel mounts utilize the LDYB Shear Beam Cantilever Load Cells.

Self-checking, easy-to-use design allows assembly to be bolted directly to tank leg without requiring additional mounting plates or load button.

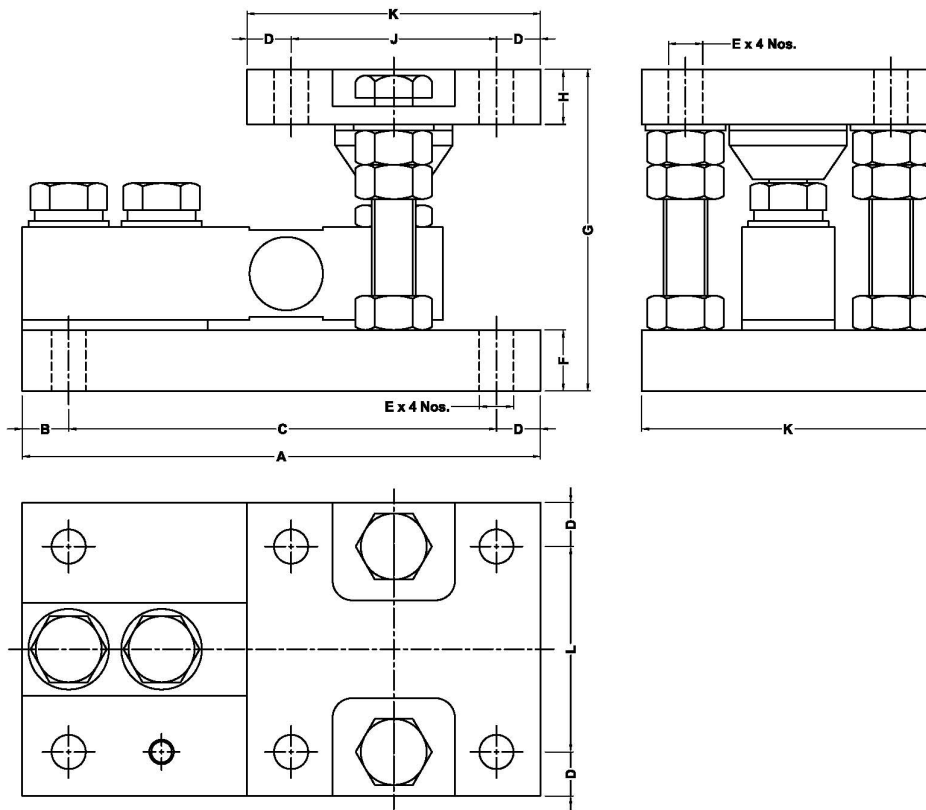
## **FEATURES :**

- High Quality.
- Easy Installation.
- Maintenance Free.
- Capacities : 100 Kg to 5000 Kg.
- Zinc Plated mild steel construction.
- Optimized to Measurement Technology Requirement.



## Typical LDYB Mounting Kit Installation

**Dimensions in mm :-**



Capacity in Kgs	A	B	C	D	E	F	G	H	J	K	L
100 to 2000	168.0	15.0	138.0	15.0	∅ 14.0	18.0	93.5~100.0	18.0	70.0	100.0	70.0
3000 & 5000	212.0	19.0	175.0	18.0	∅ 14.0	25.0	122.5~140.0	22.5	84.0	120.0	84.0

### OUR OTHER PRODUCTS :

- 'S' Type Load Cell
- Cantilever Load Cell
- Tension Load Cell
- Compression Load Cell
- Web Tension Load Cell
- Pressure Transducer
- Digital Indicator
- Tension Controller
- Pay Load Module
- Air Craft Weighing Kit
- Pedal Force Meter
- Batch Weighing System

Please Communicate to :

# **EPOCH**

## **Instruments & Controls Pvt. Ltd.**

**Office** : F#1, Paradise Apartments, No. 11, 1<sup>st</sup> Floor, 5<sup>th</sup> Cross, Prashanthnagar, Bangalore - 560 079.

☎ : 080 – 2348 1364, 6576 1259. 📠 : 080 – 2328 3728. E-mail : sales@epochloadcell.com

**Factory** : No. 16, Bhadrappa Este, 54, Magadi Main Road, Kamakshipalya, Bangalore – 560 079.

☎ : 080 – 2328 7998. E-mail : epochinstruments@yahoo.com, Web : www.epochloadcell.com.