

Portable Weighing Pad



Short description

- Integrated design, self weight less than 36 kg
- Protected against hard working conditions
- Equipped with rubber ramp to avoid impact

Portable Weighing Pad

Detailed specifications

Accuracy class		G4
Rated output	mV/V	0.9±0.2
Maximum capacity (E _{max})	t	15t
Non-Linearity	%ld	0.5
Repeatability	%ld	0.1
Creep	%FS/30min	0.1
Combined Error	%ld	≤± 0.5
Minimum dead load	of FS	0%
Safe overload	of FS	120 %
Ultimate overload	of FS	150 %
Zero balance	of FS	4% ~ 10%
Excitation, recommended voltage	V	9 ~ 15
Excitation maximum	V	20
Input resistance	Ω	3120 ± 40
Output resistance	Ω	2800 ± 10
Insulation resistance	MΩ	≥5000 (at 100VDC)
Compensated temperature	°C	-10...+40
Operating temperature	°C	-35...+65
Storage temperature	°C	-40...+70
Weighing Pad Material		Aluminium
Ingress Protection (acc. to EN 60529)		IP66

Wiring

Wiring:

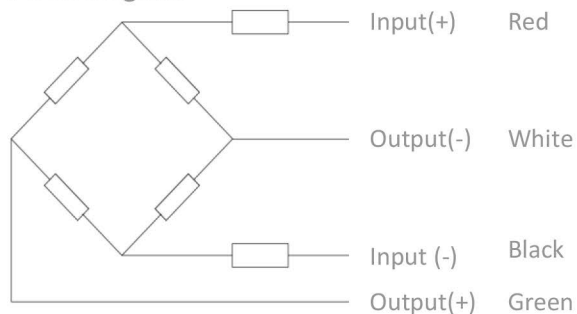
Shielded, 4 conductor cable.

Standard cable length: 10m.

Shield not connected to element.

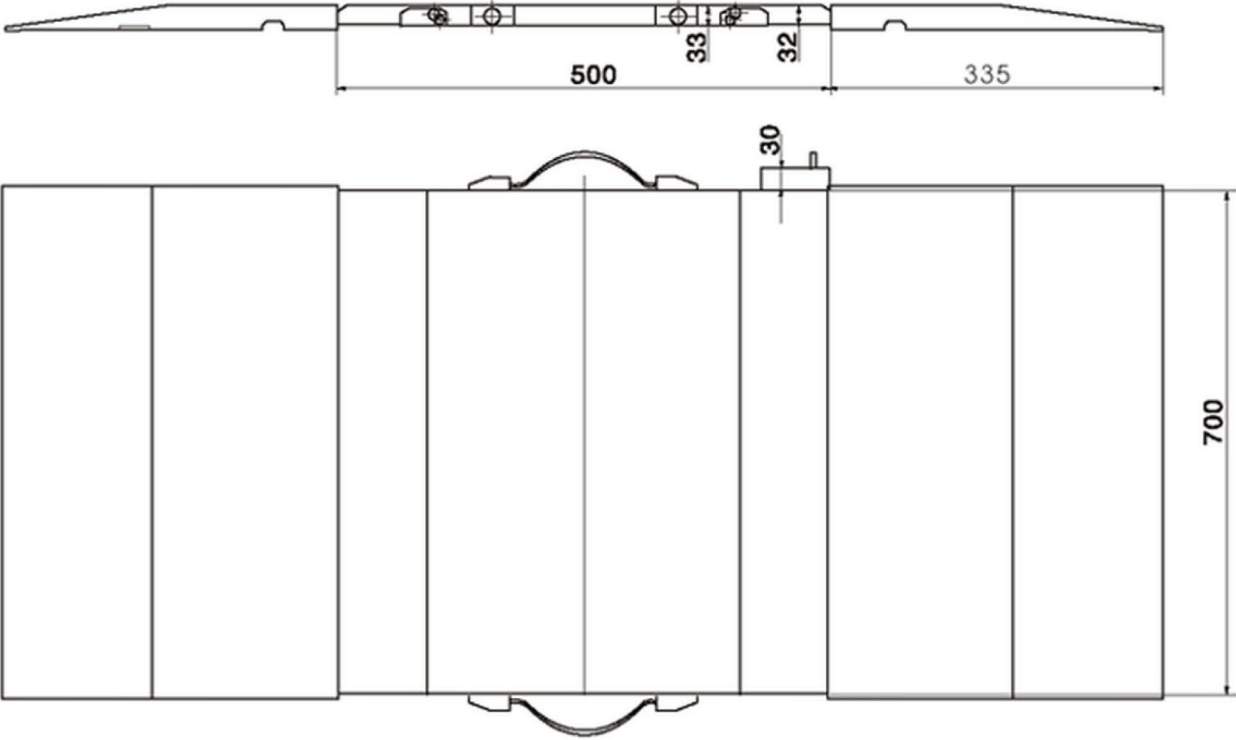
Spring on the first 3m of the cable.

4-wire diagram



Portable Weighing Pad

Dimensions in mm



Specifications and dimensions are subject to change without notice and do not constitute any liability whatsoever.